

# LOOK

Electromechanical automation for swing gates  
up to 5 m - 280 kg



For residential and  
collective usage



Available in 230V and 24V  
and with encoder

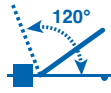


# LOOK



Unlocking device with plastic key in case of power failure

The version with encoder guarantees high performance and safety in movement



Door opening up to 110°

Stainless steel telescopic piston that guarantees high resistance against corrosion

New design



Greater installation versatility thanks to the standard adjustable fixing plates (art. MLS / SFR).



2 lengths available:  
• with 320mm shaft for gates up to 3m long  
• with 520mm stem for gates up to 5m in length



Optional rod cover to protect the telescopic rod and give a more linear aesthetic

The DE@NET external universal control board makes this operator compatible with NETLINK System.



Compatible with NETCOM, the device for installation maintenance and remote control management!



## Models

### 230V ~ operators without control board and rod cover



COD.	Art.				OTHER CHARACTERISTICS
627000	351/SC		320mm		• For leaves up to 3m length
627012	351EN/SC		320mm	✓	• With encoder, for leaves up to 3m length
627053	355/SC		520mm		• For leaves up to 5m length
627052	355EN/SC		520mm	✓	With encoder, for leaves up to 5m length

**All models have:** adjustable fixing plates to be screwed included (art. MLS/SFR), rod cover not included  
**Control board to complete the installation:** control board cod. 677610 art. NET230N/C (with box)

### 24V = operators without control board and rod cover



COD.	Art.				OTHER CHARACTERISTICS
627092	371E/SC		320mm		• For leaves up to 1,8m length
627090	371/SC		320mm		• For leaves up to 3m length
627111	372/SC		320mm	✓	• With limit switches, for leaves up to 3m length
627123	373/SC		520mm		• For leaves up to 5m length
627131	374/SC		520mm	✓	• With limit switches, for leaves up to 5m length

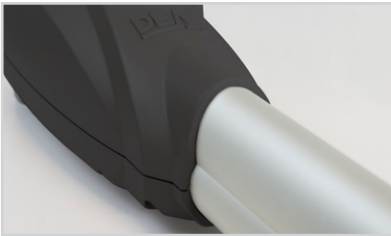
**All models have:** adjustable fixing plates to be screwed included (art. MLS/SFR), rod cover not included  
**Control board to complete the installation:** control board cod. 678261 art. NET24N/C (with box)

### Rod cover



COD.	Art.		OTHER CHARACTERISTICS
629340	CS320	320mm	• Rod cover for ram: 320 mm stroke
629341	CS520	520mm	• Rod cover for ram: 520 mm stroke

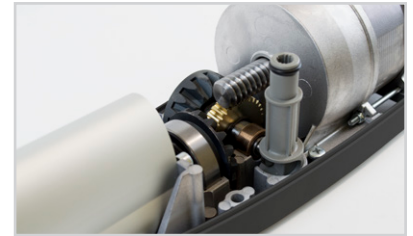




Motor case in painted Aluminium

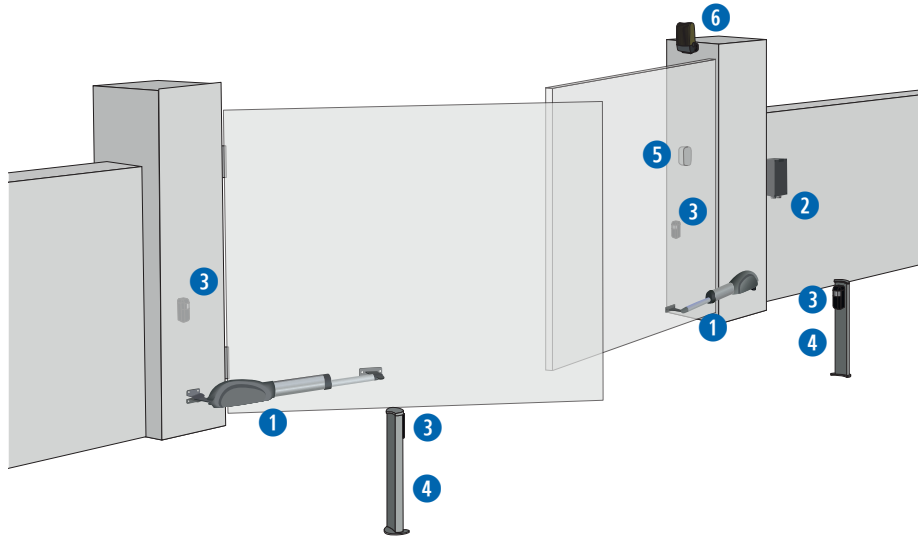


Robust rod in stainless steel.



Internal mechanics in steel with ball bearings

### Example of a typical installation



**KIT**

**1**

**COD. 627012**  
**Art. 351EN/SC**  
Electromechanical automation for swing gates

**KIT**

**2**

**COD. 677610**  
**Art. NET230N/C**  
Universal digital control board for 1 or 2 operators, 230V with or without magnetic encoder (with box)

**KIT**

**3**

**COD. 662080**  
**Art. LINEAR/XS**  
Pair of mini synchronizable photocell for outdoor installation. Maximum range 20m

**4**

**COD. 664000**  
**Art. PILLY/60**  
Pair of 55cm column for photocells (2 pcs)

**5**

**COD. 663090**  
**Art. GT-KEY**  
Metal vandal proof keyswitch with two contacts, surface mounted. Supplied with 2 keys.

**KIT**

**6**

**COD. 661130**  
**Art. AURA N**  
LED flashing light, multi-voltage 24V AC-DC/120V AC/230V AC, with integrated antenna 433MHz/868MHz

**KIT**

**COD. 672645**  
**Art. GTI4**  
Serialized white 4-channel remote control, 433 MHz, with 3 coding options: HCS Rolling-Code, Dip-Switch and new D.A.R.T. coding.

**COD. 668010**  
**Art. 127**  
Warning sign

**KIT** for further details on the kits see price list

### Specific accessories

**COD. 629320**  
**Art. MAC-LOOK/P**  
Extension for MAC/STING and LOOK rams

**COD. 629250**  
**Art. COL 515**  
Anti-fall stainless steel cable with 2 holes for swing gates

**COD. 629381**  
**Art. SB**  
Back overhead door fixing plate for LOOK, MAC, STING

**COD. 629312**  
**Art. MLS/SFR**  
Adjustable fixing plates to be screwed

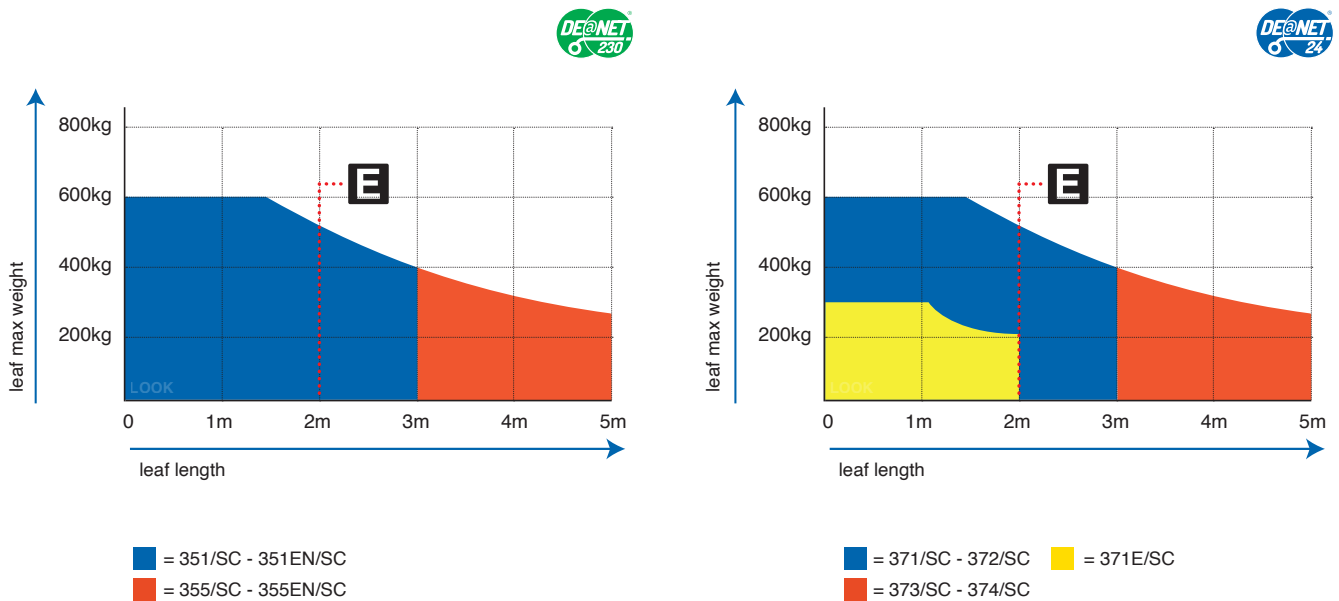
**COD. 629290**  
**Art. BAT**  
Rechargeable batteries kit for 24V operators, 12V - 1,2Ah, complete with wiring cables and fixing plate

## Technical info

TECHNICAL INFO	351/SC - 351EN/SC	355/SC - 355EN/SC	371/SC - 372/SC	373/SC - 374/SC	371E/SC
Motor power supply (V)	230V - ± 10 % (50/60 Hz)			24V <sup>DC</sup>	
Maximum power absorption (W)	300		60		50
Max thrust (N)	1650		1000		500
Time with total stroke (s)	20	33	21	34	21,5
90° Opening time (s)*	16	12,5	15		
Duty cycle (cycles/hours)	22 - 25 (vers. 351EN)			40	
N. max cycles in 24h.	110			50	
Built-in capacitor (µF)	8		/		
Operating temperature (°C)	-20 ÷ 50				
Motor thermal protection (°C)	150		/		
Weight with packing (Kg)	9	9,5	9		
Sound pressure (dBA)	< 70				
Protection level	IP24				

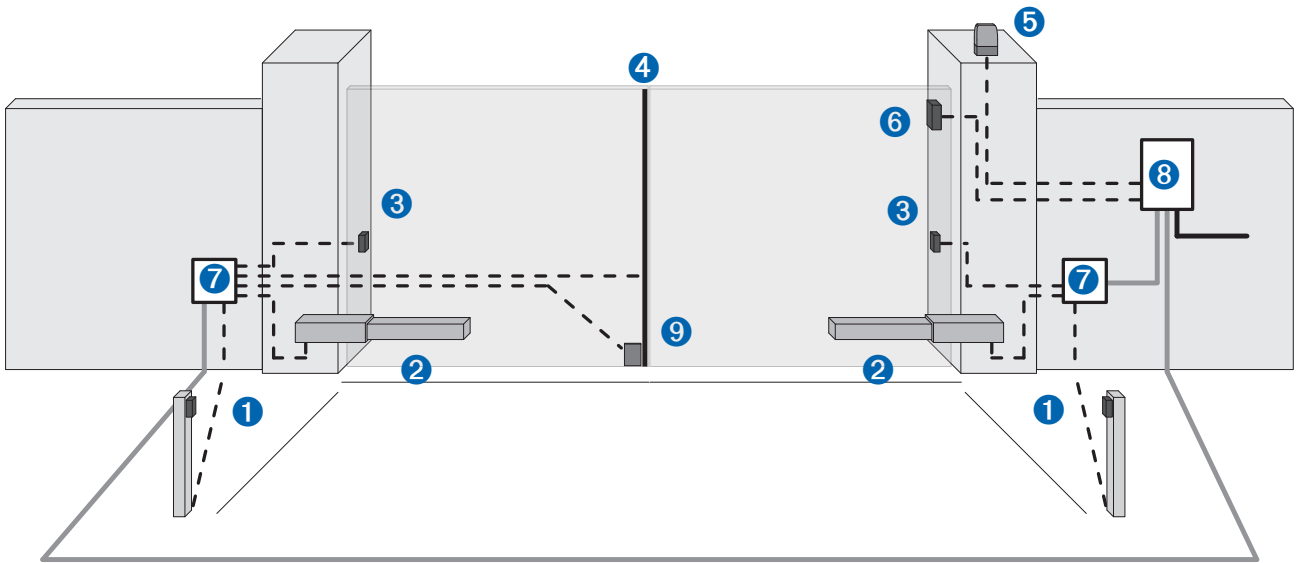
\*the opening time of the leaf at 90° may be lower accordingly to the geometry of the installation

## Guide to use



If the leaf length is bigger than 2m or if you use reversible models you must install the electric-lock to block the gate in closed position. The height and the leaf structure, as well as the presence of strong wind, can cause the reduction of the value of the data contained in table or make it necessary to use an electric lock also for leaves shorter than 2m.

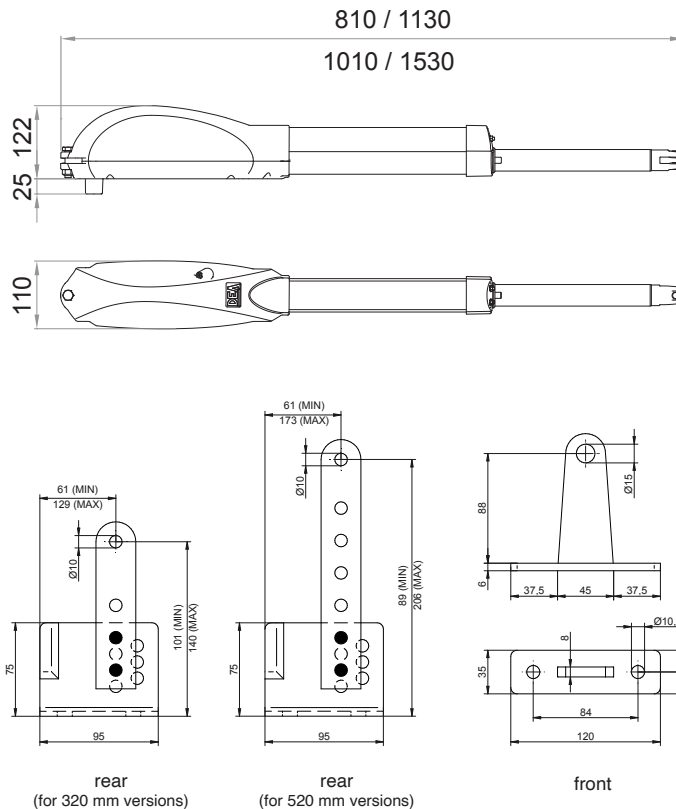
## Wiring



- Corrugated pipe for power supply cable
- Ø40 corrugated pipe for connection between the control board and the junction box
- - - Ø20 corrugated pipe or external PVC conduit for connection between the control board and the command and safety accessories

pos.	description
1	Column with photocells
2	Operator
3	Photocells
4	Safety edge
5	Flashing light
6	Keyswitch / Digicode
7	Junction box
8	Control board
9	Electric-lock

## Dimensions



## Dimensions

All measures in mm

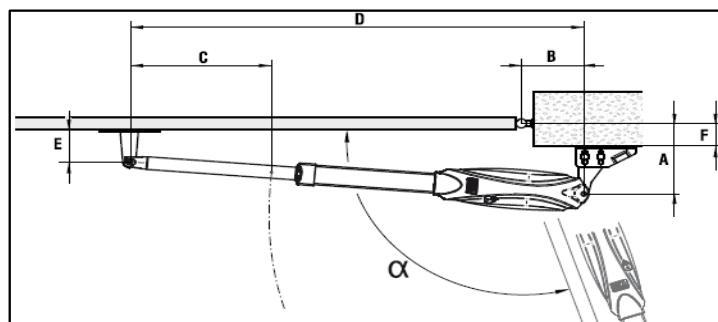
with or without rod cover							
STROKE	$\alpha$	A	B	C	D	E	F
320	90°	155	155	310	1100	90	0 ÷ 80
	100°	125	165	316	1100	80	0 ÷ 20
520	90°	200	200	399	1500	100	0 ÷ 20
		230	200	431	1500	100	150
		290	200	496	1500	100	200
	120°	135	200	418	1500	70	0 ÷ 20

320mm stroke, with Art. SB							
$\alpha$	A	B	C	D	E	F	note
90°	150	150	300	1190	115	0	with rod cover Art. CS320
	120	150	300	1190	115	30	
	100	150	300	1190	115	50	
	70	150	300	1190	115	80	
100°	120	160	305	1190	85	0	without rod cover
	90	160	305	1190	85	30	
	70	160	305	1190	85	50	

SB=back over head door fixing plate Cod. 629381

520mm stroke, mit with. SB							
$\alpha$	A	B	C	D	E	F	note
90°	150	150	300	1590	115	0	with rod cover Art. CS520
	150	150	331	1590	115	30	
	150	150	352	1590	115	50	
	120	150	352	1590	115	80	
	100	150	352	1590	135	100	
	100	150	405	1590	135	150	
	100	150	459	1590	135	200	
	100	150	515	1590	135	250	
100°	150	180	359	1590	115	0	
	150	180	390	1590	115	30	
	120	180	389	1590	115	50	
	120	180	411	1590	115	80	
	120	180	432	1590	115	100	
110°	150	200	410	1590	115	0	
	150	200	439	1590	115	30	
	120	200	430	1590	115	50	
120°	150	240	491	1590	115	0-30	

SB=back over head door fixing plate Cod. 629381





# DEAuser



DEAuser is the app for **private users** that allows activation of automation at **close proximity** via Bluetooth.

By installing the NET-NODE on all devices with NETLINK technology, users can control their automations through their smart devices.

To be used with:



Art. NET-NODE 2.0  
Cod. 677642





# DEAinstaller



DEAinstaller is the App dedicated to the **professional installer** and allows Installers to program and manage DEA automations on-site in a simple and intuitive way from their smart devices.

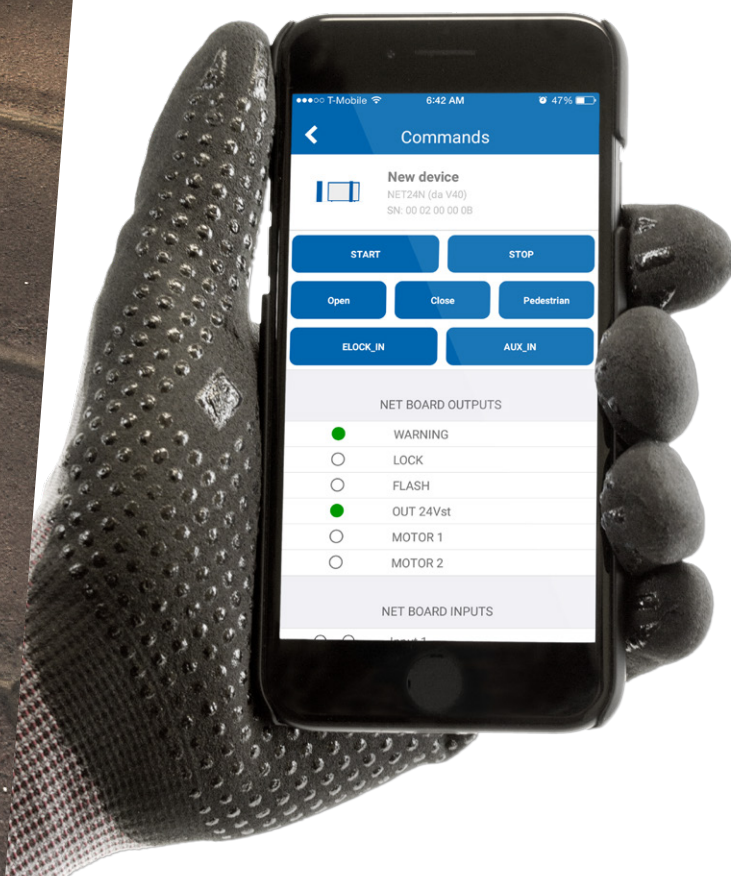
If you use it with the NET-NODE you can:

- ✓ keep a **data backup** of all installations
- ✓ easily adjust the **parameters** of control boards
- ✓ update the **firmware**
- ✓ program the **maintenance**
- ✓ manage or customise the **remotes**
- ✓ read **technical manuals** or have a look at the **electrical connections**
- ✓ control the **inputs** and **output** of the control boards
- ✓ **control** the automation with the App

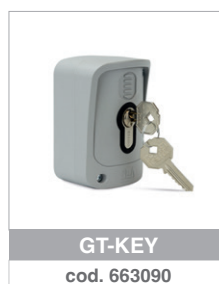
To be used with:



Art.NET-NODE 2.0  
Cod.677642



## Generic accessories



## #safeasyoulike!

### Non-copyable remotes!

GTI remotes are multi-function. They have three coding possibilities: DIP SWITCH, Rolling Code and D.A.R.T. the new DEA advanced coding.

You can customise the code of the remotes to guarantee the maximum security to your customer.

**D.** DEA  
**A.** Advanced  
**R.** Rolling Code  
**T.** Transmission

### Looking for **total safety**?

With **NET-BOX** each installer can customise the code of your GTI remotes.



## #colourasyoulike!

### Choose your favorite colour!

GTI remotes can be customised with button kits in seven colours: green, light green, blue, pink, yellow, orange and purple.



**Note:** button kits are supplied in packs of 5. The remote must be ordered separately.





# NETLINK

is our technology applied to DEA devices for the smart management of your installations, both **locally** and **remotely**.



## Our range

### Automations for sliding gates



LIVI N



REV

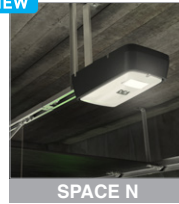


GULLIVER



### Automations for sectional doors

NEW



SPACE N



NEW



ADVANCE N



LIVI 902



### Automations for swing gates

NEW



MAC



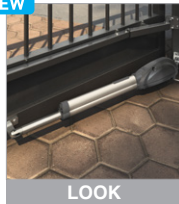
NEW



STING



NEW



LOOK



GEKO



LIVI 502



GHOST 100/200



OLI N



### Automations for industrial gates



LATO



550 PL



### Barriers

NEW



PASS N



NEW



STOP N



TRAFIK



### Bollards



ROCK



**DEA**  
move as you like

**HEADQUARTER**  
DEA SYSTEM S.p.A.  
Via della Tecnica, 6 - 36013 Piovene Rocchette (VI) - ITALY  
☎ + 39.0445.55.07.89 - 📠 + 39.0445.55.02.65  
info@deasystem.com - www.deasystem.com

Branches > Italia, France, United Kingdom, Ireland, España,  
Portugal, Polska, Deutschland, Беларусь

> **HEAD OFFICE**  
**DEA System UK & IRE**  
Sandholes Road - Cookstown - Co. Tyrone  
BT80 9AR - IRELAND  
☎ + 44 (0)28 8676 6476 - 📠 + 44 (0)28 8676 2414  
info@deasystem.net

**DEA System UK & IRE**  
Unit 31 - The IO Centre - Hearle Way - Hatfield - Hertfordshire  
AL10 9EW - UNITED KINGDOM  
☎ + 44 (0)1707 246 599  
contact@deasystem.net