

OLIN

Hydraulic automation for swing gates
up to 4,5 m - 500 kg



For collective and
industrial usage



Available in 230V



OLI/N



Wide range of models with:

- locking in opening and/or closing
- reversible or slow models for any kind of installation need

Quick release with customised metal key, protected from the weather.

Fixing plates to be welded as standard. Greater installation versatility thanks to the optional adjustable fixing plates (art. OLI/SFR).



Available in short version (useful stroke 270mm) or long version (useful stroke 400mm)

The DE@NET external universal control board makes this operator compatible with NETLINK System.



Compatible with NETCOM, the device for installation maintenance and remote control management!



Models

Hydraulic rams 230V ~ without control board



Stroke 270mm

COD.	Art.				OTHER CHARACTERISTICS
624005	OLI 602AN	● ● ●	A	270mm	• Self-locking in open position only, for leaves up to 2m length
624055	OLI 602LAN	● ● ●	A	270mm	• Self-locking in open position only, slow version, for leaves up to 2,5m length
624004	OLI 602N	● ● ●	C	270mm	• Self-locking in close position only, for leaves up to 2m length
624054	OLI 602LN	● ● ●	C	270mm	• Self-locking in close position only, slow version, for leaves up to 2,5m length
624013	OLI 603N	● ● ●		270mm	• Self-locking in open and close position, for leaves up to 2m length
624063	OLI 603LN	● ● ●		270mm	• Self-locking in open and close position, slow version, for leaves up to 2,5m length
624023	OLI 604N	● ● ●	✓	270mm	• Not self-locking, for leaves up to 2,5m length
624073	OLI 604LN	● ● ●	✓	270mm	• Not self-locking, slow version, for leaves up to 3m length

All models: fixing plates to be welded included (art.0/353-0/653)

Control board to complete the installation: control board cod. 677610 art. NET230N/C (with box)

All models: in order to respect the limit of impact forces foreseen by EN 12453-1, you must use the external safety devices in compliance with EN 12978.

Stroke 400mm

COD.	Art.				OTHER CHARACTERISTICS
624033	OLI 605N	● ● ●		400mm	• Self-locking in open and closed position, for leaves up to 2,5m length
624083	OLI 605LN	● ● ●		400mm	• Self-locking in open and closed position, slow version, for leaves up to 3m length
624043	OLI 606N	● ● ●	✓	400mm	• Not self-locking, for leaves up to 3,5m length
624093	OLI 606LN	● ● ●	✓	400mm	• Not self-locking, slow version, for leaves up to 4,5m length
624104	OLI 607AN	● ● ●	A	400mm	• Self-locking in open position, for leaves up to 3m length
624114	OLI 607LAN	● ● ●	A	400mm	• Self-locking in open position, slow version, for leaves up to 3,5m length

All models: fixing plates to be welded included (art.0/353-0/653)

Control board to complete the installation: control board cod. 677610 art. NET230N/C (with box)

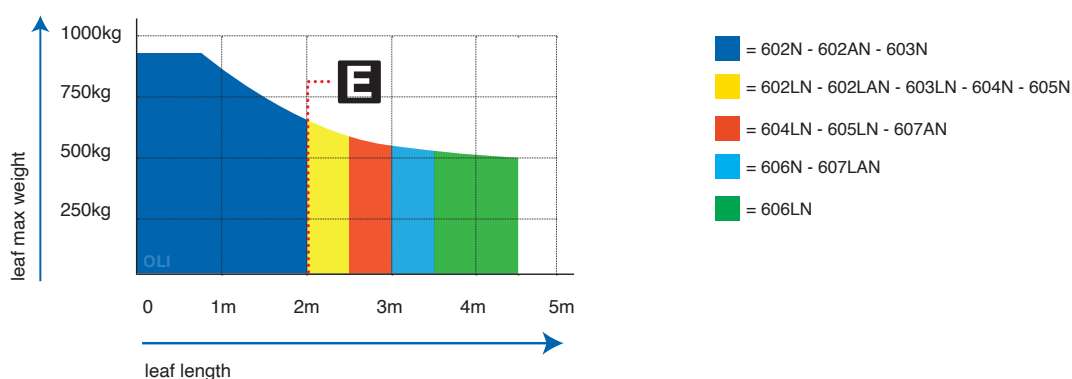
All models: in order to respect the limit of impact forces foreseen by EN 12453-1, you must use the external safety devices in compliance with EN 12978.

Technical info

TECHNICAL INFO	OLI 602N - OLI 602AN - OLI 603N - OLI 604N	OLI 605N - OLI 606N - OLI 607AN	OLI 602LN - OLI 602LAN - OLI 603LN - OLI 604LN	OLI 605LN - OLI 606LN - OLI 607LAN
Motor power supply (V)	230V ~ ± 10 % (50/60 Hz)			
Maximum power absorption (W)	170			
Max thrust (N)	3980		5600	
Max traction force (N)	3200		4460	
Duty cycle (cycles/hours)	60		50	40
N. max cycles in 24h.	480		400	320
Built-in capacitor (µF)	8			
Operating temperature (°C)	-20 ÷ 50			
Motor thermal protection (°C)	130			
90° Opening time (s)	21	31	30	40
Weight with packing (Kg)	11,4	13	11,4	13
Sound pressure (dBA)	< 70			
Protection level	IP55			

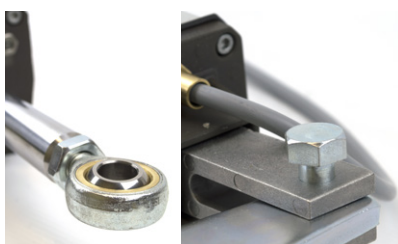
Used Oil: AGIP Arnica A15

Guide to use

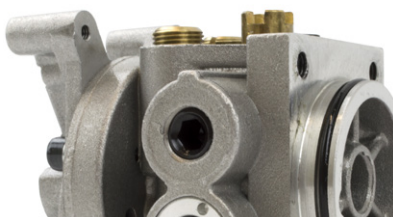


If the leaf length is bigger than 2m or if you use reversible models you must install the electric-lock to block the gate in closed position. The height and the leaf structure, as well as the presence of strong wind, can cause the reduction of the value of the data contained in table or make it necessary to use an electric lock also for leaves shorter than 2m.

Characteristics



Front ball and articulated rear joint to allow the usage with **doors in slope**.

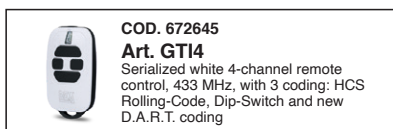
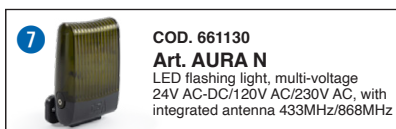
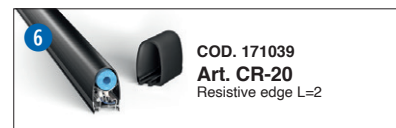
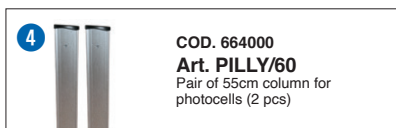
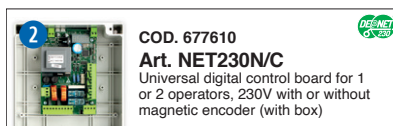
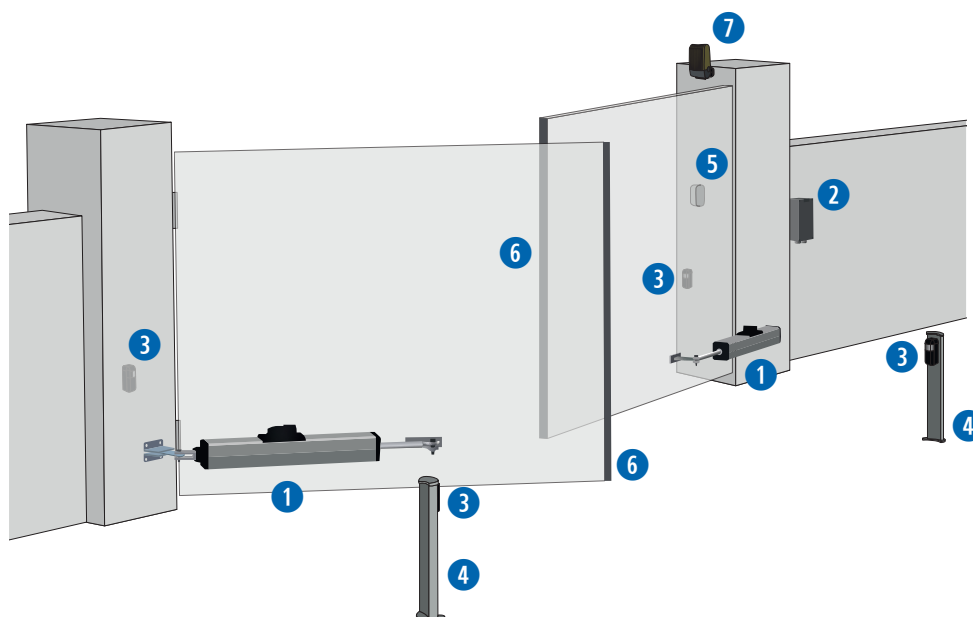


Hydraulic pump in **slow or fast** version depending on the leaf's dimensions.

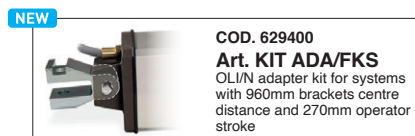


Resin power cord to prevent oil spills.

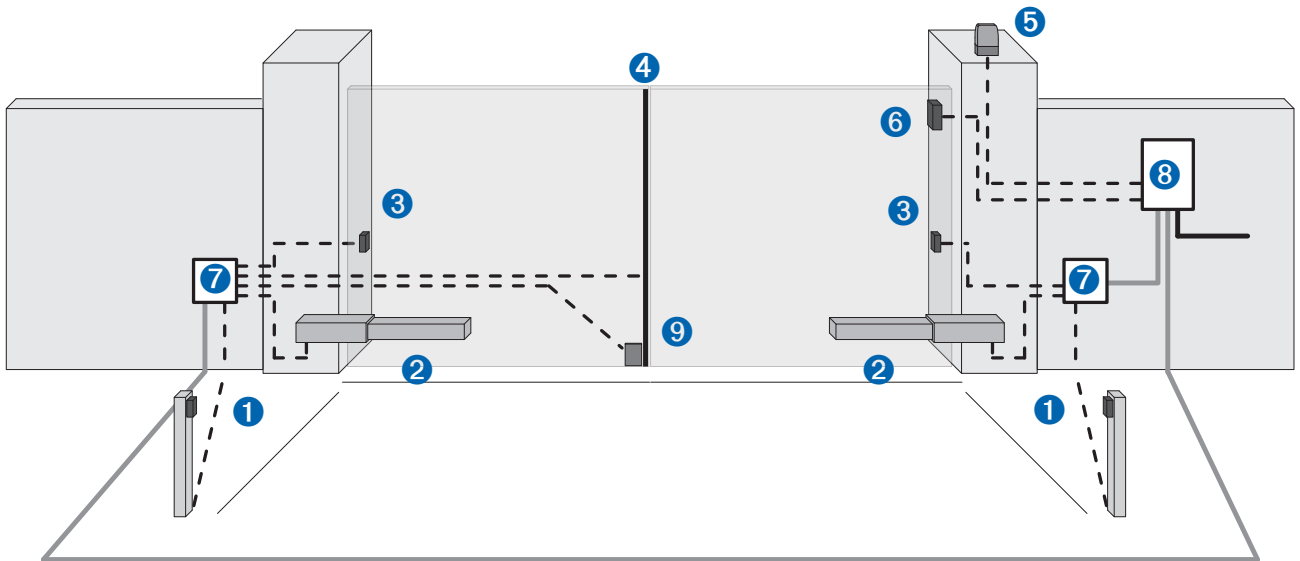
Example of a typical installation



SPECIFIC ACCESSORIES



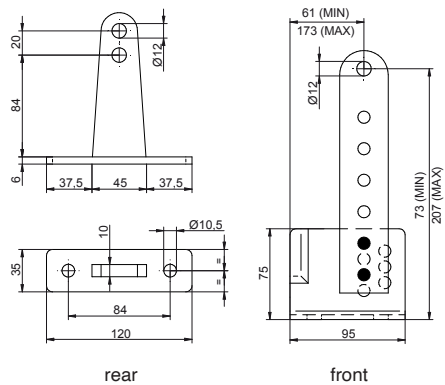
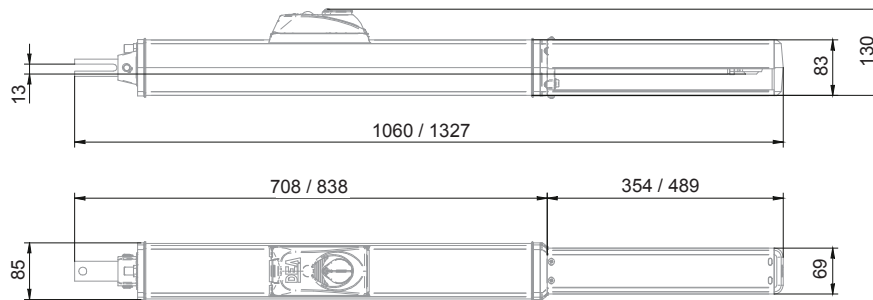
Wiring



- Corrugated pipe for power supply cable
- Ø40 corrugated pipe for connection between the control board and the junction box
- - - Ø20 corrugated pipe or external PVC conduit for connection between the control board and the command and safety accessories

pos.	description
1	Column with photocells
2	Operator
3	Photocells
4	Safety edge
5	Flashing light
6	Key switch/Keypad
7	Junction box
8	Control board
9	Electric-lock

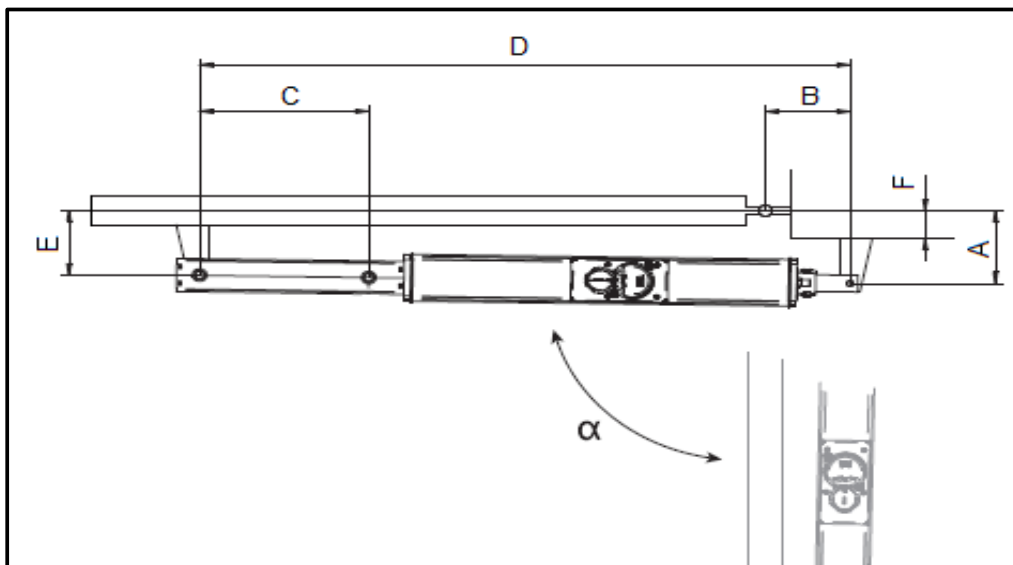
Dimensions



Installation dimensions

All measures in mm

Stroke	α	OLI					F
		A	B	C	D	E	
270	90°	130	130	260	1000	115	0 ÷ 80
400	90°	230	150	385	1260	135	0 ÷ 150
	110°	130	190	377	1260	115	0 ÷ 50



DEAuser



DEAuser is the app for **private users** that allows activation of automation at **close proximity** via Bluetooth.

By installing NET-NODE on all devices with NETLINK technology, you can control your gate through your smartphone.

To be used with:



Art. NET-NODE 2.0
Cod. 677642



DEAinstaller



DEAinstaller is the App dedicated to the **professional installer** and allows Installers to program and manage DEA automations on-site in a simple and intuitive way from their smart devices.

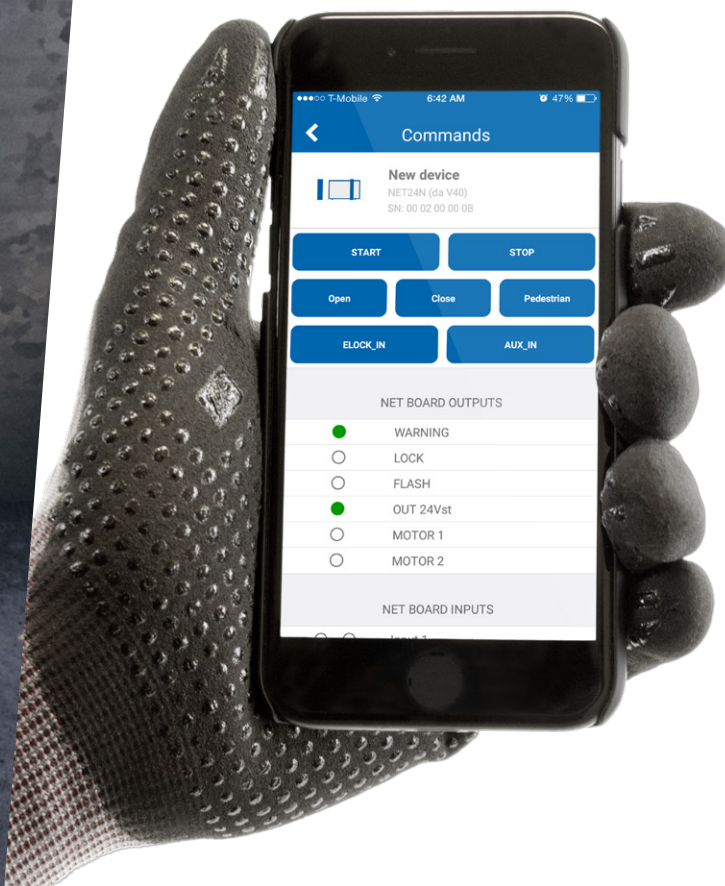
If you use it with the NET-NODE you can:

- ✓ keep a **data backup** of all your installations
- ✓ easily adjust the **parameters** of your control boards
- ✓ update the **firmware**
- ✓ program the **maintenance**
- ✓ manage or customise the **remotes**
- ✓ read **technical manuals** or have a look at the **electrical connections**
- ✓ control the **inputs** and **output** of the control boards
- ✓ **control** the automation with the App

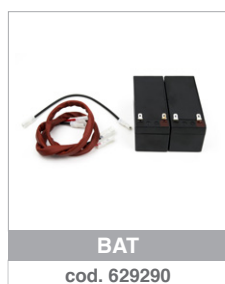
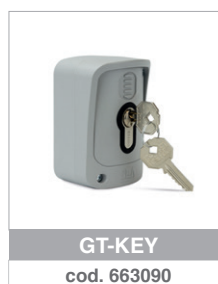
To be used with:



Art. NET-NODE 2.0
Cod. 677642



Generic accessories



#safeasyoulike!

Non-copyable remotes!

GTI remotes are multi-function. They have three coding possibilities: DIP SWITCH, Rolling Code and D.A.R.T. the new DEA advanced coding.

You can customise the code of the remotes to guarantee the maximum security to your customer.

- D.** DEA
- A.** Advanced
- R.** Rolling Code
- T.** Transmission

Looking for **total safety**?

With **NET-BOX** each installer can customise the code of your GTI remotes.



#colourasyoulike!

Choose your favorite colour!

GTI remotes can be customised with button kits in seven colours: green, light green, blue, pink, yellow, orange and purple.



Note: button kits are supplied in packs of 5. The remote must be ordered separately.



NETLINK

is our technology applied to DEA devices for the smart management of your installations, both **locally** and **remotely**.



DE@NET

One control board for all our motors, available in 230V and 24V versions.

NET-COM

The device for the managing installations remotely.



NET-NODE-2.0

The device for managing installations locally.

NET-BOX

The device for managing remotes from your office.

DEA User & DEA Installer

-  **DEAinstaller:** the App for creating and managing each installation directly from your smartphone.
-  **DEAuser:** the App for opening and closing your DEA gate with just one touch, locally.

Our range

Automations for sliding gates



LIVI N



REV

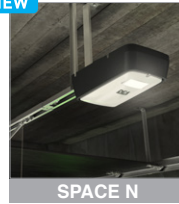


GULLIVER



Automations for sectional doors

NEW



SPACE N



NEW



ADVANCE N



LIVI 902



Automations for swing gates



MAC



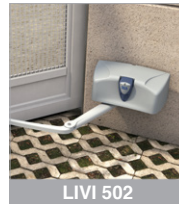
STING



LOOK



GEKO



LIVI 502



GHOST 100/200



OLI N



Automations for industrial gates



LATO



550 PL



Barriers

NEW



PASS N



NEW



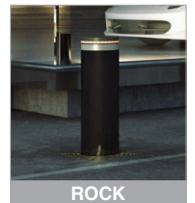
STOP N



TRAFIK



Bollards



ROCK



HEADQUARTER
DEA SYSTEM S.p.A.
 Via della Tecnica, 6 - 36013 Piovene Rocchette (VI) - ITALY
 ☎ + 39.0445.55.07.89 - 📠 + 39.0445.55.02.65
 info@deasystem.com - www.deasystem.com

Branches > Italia, France, United Kingdom, Ireland, España,
 Portugal, Polska, Deutschland, Беларусь

> **HEAD OFFICE**
DEA System UK & IRE
 Sandholes Road - Cookstown - Co. Tyrone
 BT80 9AR - IRELAND
 ☎ + 44 (0)28 8676 6476 - 📠 + 44 (0)28 8676 2414
 info@deasystem.net

DEA System UK & IRE
 Unit 31 - The IO Centre - Hearle Way - Hatfield - Hertfordshire
 AL10 9EW - UNITED KINGDOM
 ☎ + 44 (0)1707 246 599
 contact@deasystem.net