

# GEKO

Electromechanical automation for swing gates  
up to 2,5 m - 250 kg



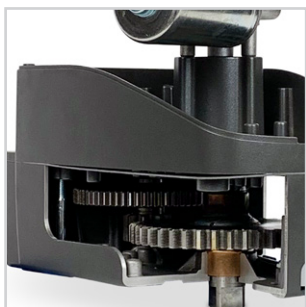
For residential usage



Available in 24V  
with encoder



# GEKO



All our products are made with high quality materials, such as steel and bronze, which guarantee reliability over time.



Compatible with NETCOM, the device for installation maintenance and remote control management

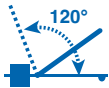


The integrated control board DE@NET makes this operator compatible with the NETLINK system.



Compatible with external cable release (art. GEKO/SF and art. BLINDOS - optional), to always have safe access from outside the property

Door opening up to 120°



Kit Climb to allow you to install on a slope with a gradient up to 12% (optional)



Sled arm (optional) that allows you to avoid lateral obstructions









Built-in mechanical stops as standard to eliminate the need for floor stops



## Models

### 24V = operators with control board and encoder, without arm



COD.	Art.				OTHER CHARACTERISTICS
628000	GEKO		✓	NET24N	<ul style="list-style-type: none"> <li>• 1 operator</li> <li>• Mechanical stops</li> <li>• Speed adjustment and slow down in opening and closing</li> </ul>
628020	GEKO/S		✓		<ul style="list-style-type: none"> <li>• 1 operator without control board</li> <li>• Mechanical stops</li> <li>• Speed adjustment and slow down in opening and closing</li> </ul>
628010	GEKO/2		✓	NET24N	<ul style="list-style-type: none"> <li>• 2 operators / 1 control board</li> <li>• Mechanical stops</li> <li>• Speed adjustment and slow down in opening and closing</li> </ul>

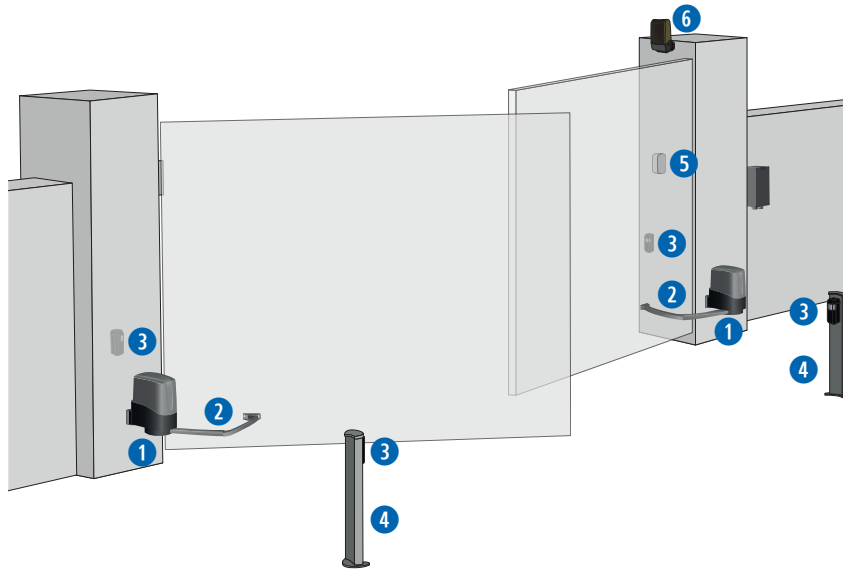
All models have: arm not included. N.1 control board NET24N, mounting plate and limit switches included.

## Technical info

Motor power supply (V)	24V =
Maximum power absorption (W)	80
Max torque (Nm)	180
Duty cycle (cycles/hours)	20
N. max cycles in 24h.	60
Operating temperature (°C)	-20 ÷ 50
90° Opening time (s)	16
Weight with packing (Kg)	12
Sound pressure (dBA)	< 70
Protection level	IP44



## Example of a typical installation



**KIT**

**1**

**COD. 628010**  
**Art. GEKO/2**  
Electromechanical automation for swing gates

**KIT**

**1**

**COD. 678251**  
**Art. NET24N**  
Universal digital control board for 1 or 2 operators, 24V, with or without magnetic encoder

**KIT**

**2**

**COD. 629260**  
**Art. GEKO/BA**  
Aluminium articulated arm

**KIT**

**3**

**COD. 662080**  
**Art. LINEAR/XS**  
Pair of mini synchronizable photocell for outdoor installation. Maximum range 20m

**4**

**COD. 664000**  
**Art. PILLY/60**  
Pair of 55cm column for photocells (2 pcs)

**5**

**COD. 663090**  
**Art. GT-KEY**  
Metal vandal proof keyswitch with two contacts, surface mounted. Supplied with 2 keys.

**KIT**

**6**

**COD. 661130**  
**Art. AURA N**  
LED flashing light, multi-voltage 24V AC-DC/120V AC/230V AC, with integrated antenna 433MHz/868MHz

**KIT**

**COD. 672645**  
**Art. GTI4**  
Serialized white 4-channel remote control, 433 MHz, with 3 coding options: HCS Rolling-Code, Dip-Switch and new D.A.R.T. coding.

**COD. 668010**  
**Art. 127**  
Warning sign

**KIT** for further details on the kits see price list

## Specific accessories

**COD. 629260**  
**Art. GEKO/BA**  
Aluminium articulated arm

**COD. 629263**  
**Art. GEKO/BLA**  
Long arm for GEKO, aluminium

**COD. 629262**  
**Art. GEKO/BL**  
Long arm for GEKO, painted galvanized steel

**COD. 629261**  
**Art. GEKO/BS**  
Roll sliding arm, painted galvanized steel

**COD. 629350**  
**Art. KIT CLIMB**  
Adapter set for doors on slopes (for doors up to 2m - 150 kg; max gradient 12%)

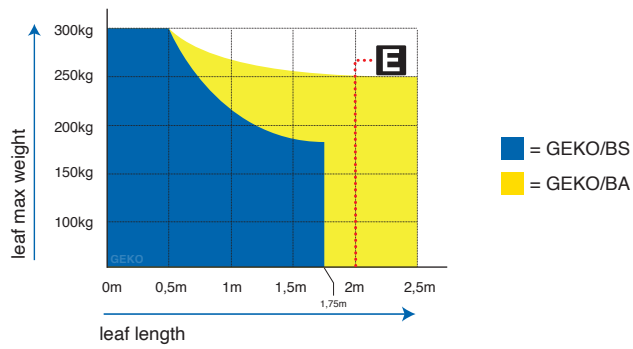
**COD. 629280**  
**Art. GEKO/SF**  
External unlocking device by cable (4,5m). To be used with BLINDOS

**COD. 665000**  
**Art. BLINDOS**  
Aluminium safety enclosure, with European cylinder, ready for unlocking device by cable.

**COD. 629250**  
**Art. COL 515**  
Anti-fall stainless steel cable with 2 holes for swing gates

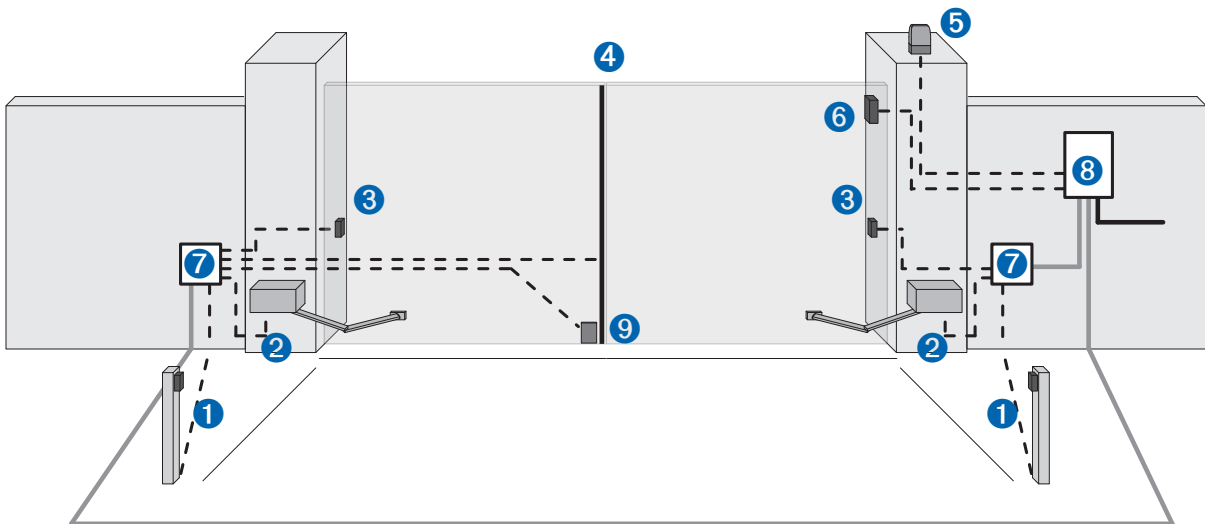
**COD. 629290**  
**Art. BAT**  
Rechargeable batteries kit for 24V operators, 12V - 1,2Ah, complete with wiring cables and fixing plate

## Guide to use



If the leaf length is bigger than 2m or if you use reversible models you must install the electric-lock to block the gate in closed position. The height and the leaf structure, as well as the presence of strong wind, can cause the reduction of the value of the data contained in table or make it necessary to use an electric lock also for leaves shorter than 2m.

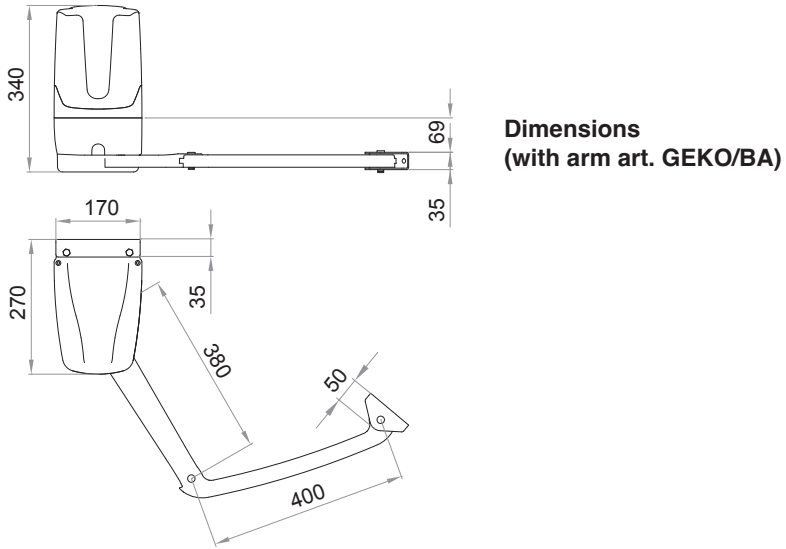
## Wiring



- Corrugated pipe for power supply cable
- Ø40 corrugated pipe for connection between the control board and the junction box
- - - Ø20 corrugated pipe or external PVC conduit for connection between the control board and the command and safety accessories

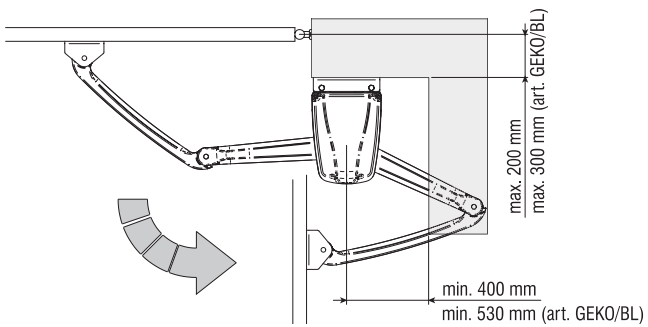
pos.	description
1	Column with photocells
2	Operator
3	Photocells
4	Safety edge
5	Flashing light
6	Keyswitch / Digicode
7	Junction box
8	Control board
9	Electric-lock

## Dimensions



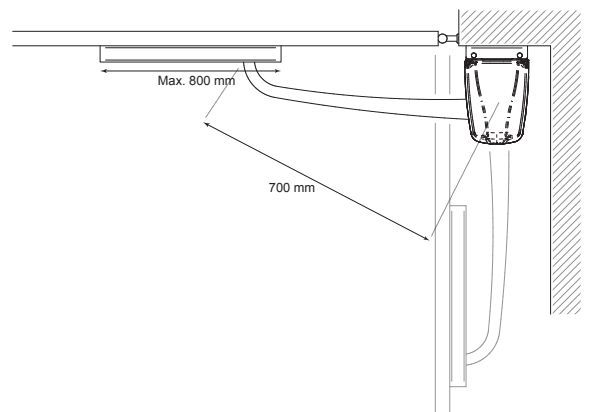
### Articulated arm

Refer to instructions manual  
for installation dimensions



### Sliding arm

Refer to instructions manual  
for installation dimensions



## KIT CLIMB

**maximum  
inclination  
12%**



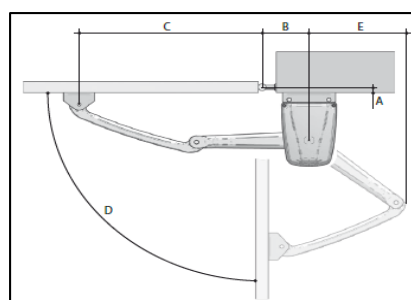
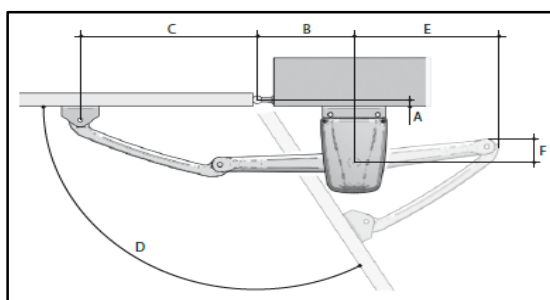
## Installation dimensions

All measures in mm

GEKO with Art. GEKO/BA					
A	B	C	D	E	F
20	150	585	90 °	310	-
50	150	580	90 °	320	-
100	150	565	90 °	335	-
120	150	560	90 °	340	-
150	150	550	90 °	345	-
180	150	540	90 °	342	-
200	150	530	90 °	340	-
0	250	485	120°	390	62
0÷20	160	575	100°	360	-
0÷20	200	535	110°	390	-
20	260	475	120°	390	75
50	160	565	100°	375	-
50	220	510	110°	390	-

only GEKO with Art. GEKO/BL					
A	B	C	D	E	F
200*	150	750	90 °	470	-
250*	150	800	90 °	480	-
300*	150	800	90 °	490	-

only GEKO with Art. GEKO/BLA					
A	B	C	D	E	F
50	150	780	90°	365	-
100	150	770	90°	380	-
150	150	750	90°	390	-
180	150	730	90°	385	50



# DEAuser



DEAuser is the app for **private users** that allows activation of automation at **close proximity** via Bluetooth.

By installing the NET-NODE on all devices with NETLINK technology, users can control their automations through their smart devices.

To be used with:



Art.NET-NODE 2.0  
Cod. 677642





# DEAinstaller



DEAinstaller is the App dedicated to the **professional installer** and allows Installers to program and manage DEA automations on-site in a simple and intuitive way from their smart devices.

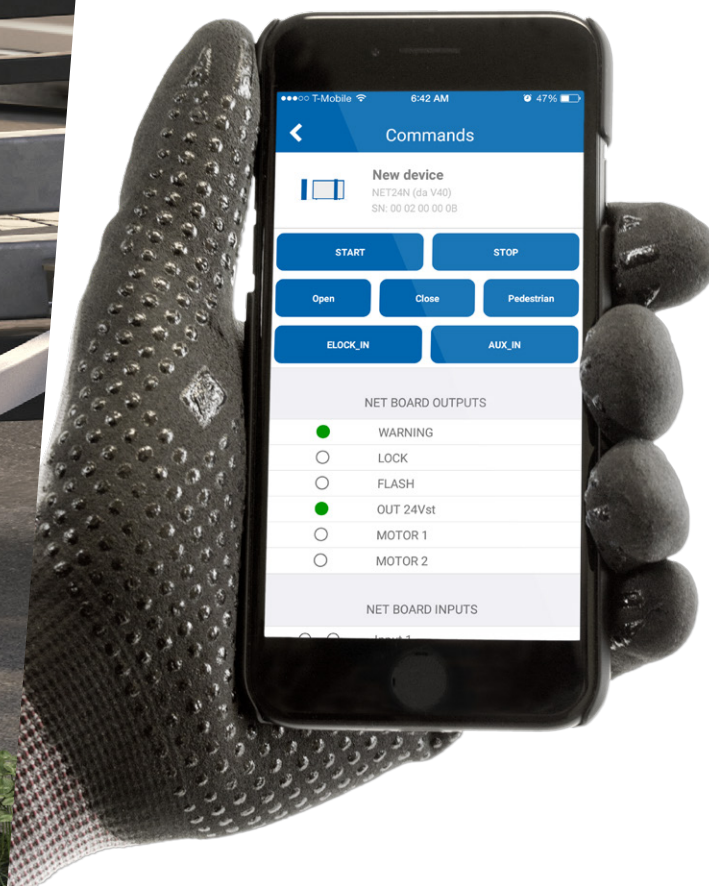
If you use it with the NET-NODE you can:

- ✓ keep a **data backup** of all installations
- ✓ easily adjust the **parameters** of control boards
- ✓ update the **firmware**
- ✓ program the **maintenance**
- ✓ manage or customise the **remotes**
- ✓ read **technical manuals** or have a look at the **electrical connections**
- ✓ control the **inputs** and **output** of the control boards
- ✓ **control** the automation with the App

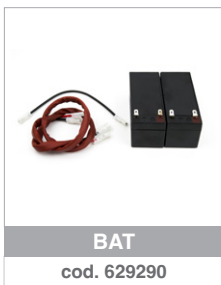
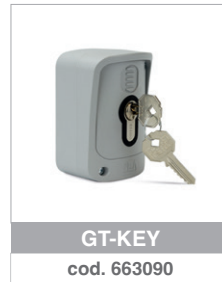
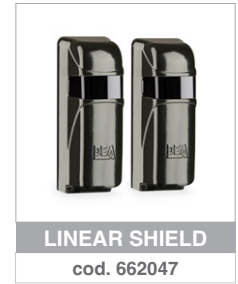
To be used with:



Art.NET-NODE 2.0  
Cod. 677642



## Generic accessories



## #safeasyoulike!

### Non-copyable remotes!

GTI remotes are multi-function. They have three coding possibilities: DIP SWITCH, Rolling Code and D.A.R.T. the new DEA advanced coding.

You can customise the code of the remotes to guarantee the maximum security to your customer.

**D. DEA**  
**A. Advanced**  
**R. Rolling Code**  
**T. Transmission**

Looking for **total safety**?  
With **NET-BOX** each installer can customise the code of your GTI remotes.



## #colourasyoulike!

Choose your favorite colour!

GTI remotes can be customised with button kits in seven colours: green, light green, blue, pink, yellow, orange and purple.



**Note:** button kits are supplied in packs of 5. The remote must be ordered separately.



# NETLINK

is our technology applied to DEA devices for the smart management of your installations, both **locally** and **remotely**.





## Our range

### Automations for sliding gates



LIVI N



REV

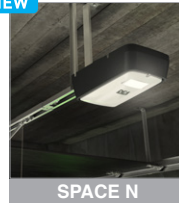


GULLIVER



### Automations for sectional doors

NEW



SPACE N



NEW



ADVANCE N



LIVI 902



### Automations for swing gates

NEW



MAC



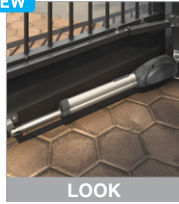
NEW



STING



NEW



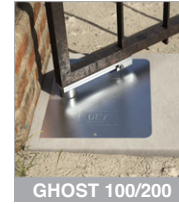
LOOK



GEKO



LIVI 502



GHOST 100/200



OLI N



### Automations for industrial gates



LATO



550 PL



### Barriers

NEW



PASS N



NEW



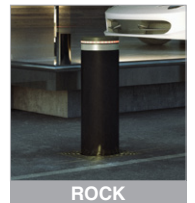
STOP N



TRAFIK



### Bollards



ROCK



**HEADQUARTER**  
**DEA SYSTEM S.p.A.**  
 Via della Tecnica, 6 - 36013 Piovene Rocchette (VI) - ITALY  
 ☎ + 39.0445.55.07.89 - 📠 + 39.0445.55.02.65  
 info@deasystem.com - www.deasystem.com

Branches > Italia, France, United Kingdom, Ireland, España,  
 Portugal, Polska, Deutschland, Беларусь

> **HEAD OFFICE**  
**DEA System UK & IRE**  
 Sandholes Road - Cookstown - Co. Tyrone  
 BT80 9AR - IRELAND  
 ☎ + 44 (0)28 8676 6476 - 📠 + 44 (0)28 8676 2414  
 info@deasystem.net

**DEA System UK & IRE**  
 Unit 31 - The IO Centre - Hearle Way - Hatfield - Hertfordshire  
 AL10 9EW - UNITED KINGDOM  
 ☎ + 44 (0)1707 246 599  
 contact@deasystem.net