

REV

Automation for industrial sliding gates
up to 1400 kg



For collective and
industrial usage



Available in 230V and 24V



Range of irreversible or
reversible motors in an oil
bath



REV

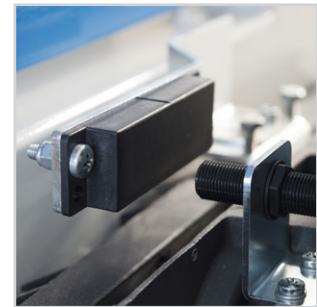


Additional fan ventilation (230V versions), with magnetic encoder

Control board positioned in a lifted position at the front. Always accessible and perfect for small or narrow spaces



Models available with magnetic limit switches



The reversible models of this operator allow the manual movement of the gate without having to unlock the motor and satisfy some safety measures typical of installations in public contexts.

The DE@NET universal control board makes this operator compatible with NETLINK System.



Compatible with IRONBOX and IRONBOX/XS vandal-proof box for installations in challenging or industrial environments



Compatible with NETCOM, the device for installation maintenance and remote control management!

NETCOM



Models

230V ~ operators with control board, limit switches and encoder



COD.	Art.					OTHER CHARACTERISTICS
616000	REV220	1400 kg*		NET230N	✓	<ul style="list-style-type: none"> • Self-locking with limit switches • Speed adjustment and slow down in opening and closing • Motor control by encoder and obstacle detection
616003	REV220/M	1400 kg*		NET230N	✓	<ul style="list-style-type: none"> • Self-locking • Magnetic limit switches • Speed adjustment and slow down in opening and closing • Motor control by encoder and obstacle detection
616001	REV220/RF	1400 kg*		NET230N	✓	<ul style="list-style-type: none"> • Not self-locking with brake in opening and closing • Limit switches • Oil bath • Speed adjustment and slow down in opening and closing • Motor control by encoder and obstacle detection
616004	REV220/RFM	1400 kg*		NET230N	✓	<ul style="list-style-type: none"> • Not self-locking with brake in opening and closing • Magnetic limit switches • Oil bath • Speed adjustment and slow down in opening and closing • Motor control by encoder and obstacle detection

All models have (IB version excluded): control board and fixing plate to be cemented included

* If using an oversized pinion art. Z22, the maximum weight of the leaf should be reduced by 30%

24V = operators with control board and limit switches

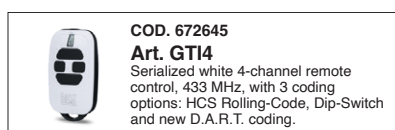
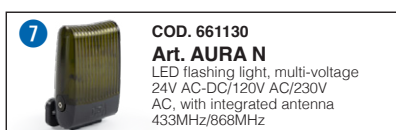
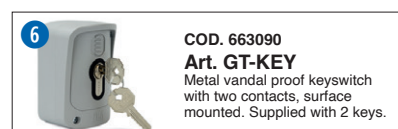
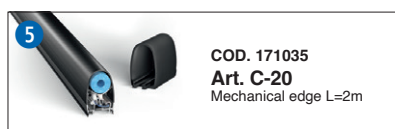
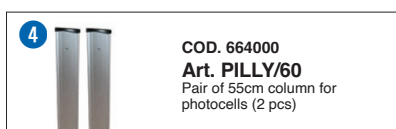
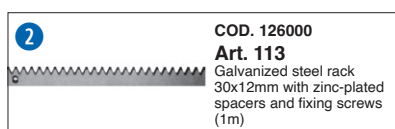
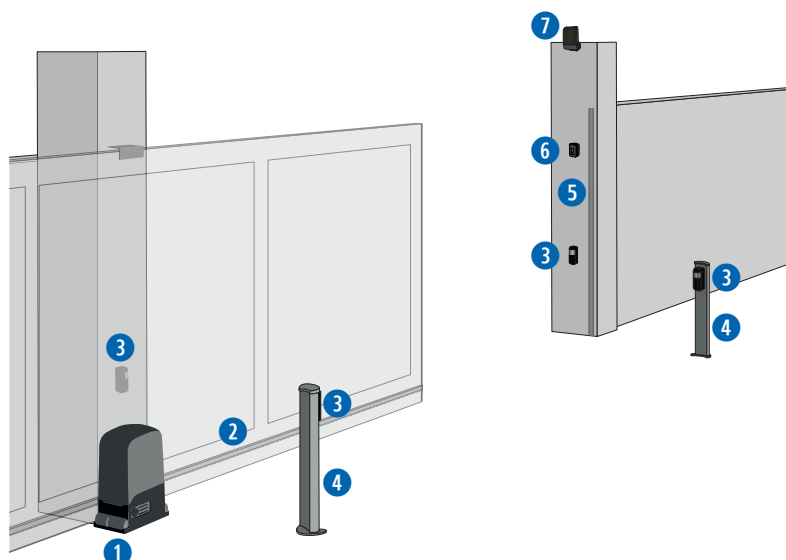


COD.	Art.				OTHER CHARACTERISTICS
616011	REV24/F	1400 kg*		NET24N	<ul style="list-style-type: none"> • Self-locking with limit switches • Speed adjustment and slow down in opening and closing
616012	REV24/M	1400 kg*		NET24N	<ul style="list-style-type: none"> • Self-locking • Magnetic limit switches • Speed adjustment and slow down in opening and closing

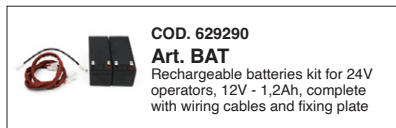
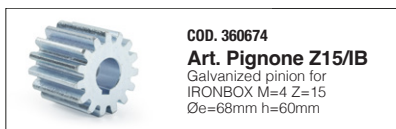
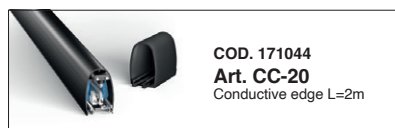
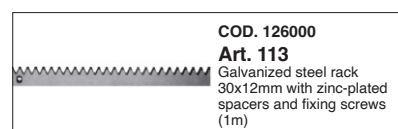
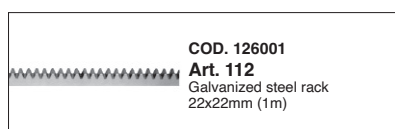
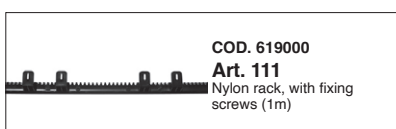
All models have (IB version excluded): control board and fixing plate to be cemented included

* If using an oversized pinion art. Z22, the maximum weight of the leaf should be reduced by 30%

Example of a typical installation



Specific accessories



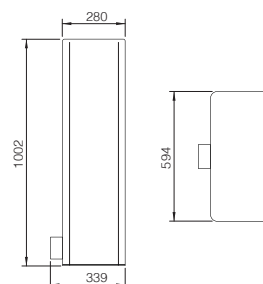
* If using an oversized pinion art. Z22, the maximum weight of the leaf should be reduced by 30%

MAG

IRONBOX

cod. 619080

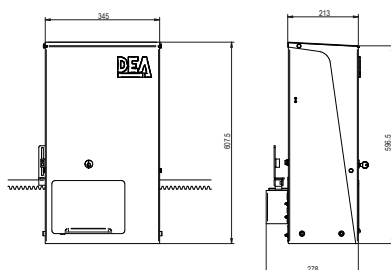
RAL 9006 painted steel vandal-proof box (Colour: RAL 9006) for REV (IB models) with magnetic limit switch (code 619070) and foundation plate.



IRONBOX/XS

cod. 619100

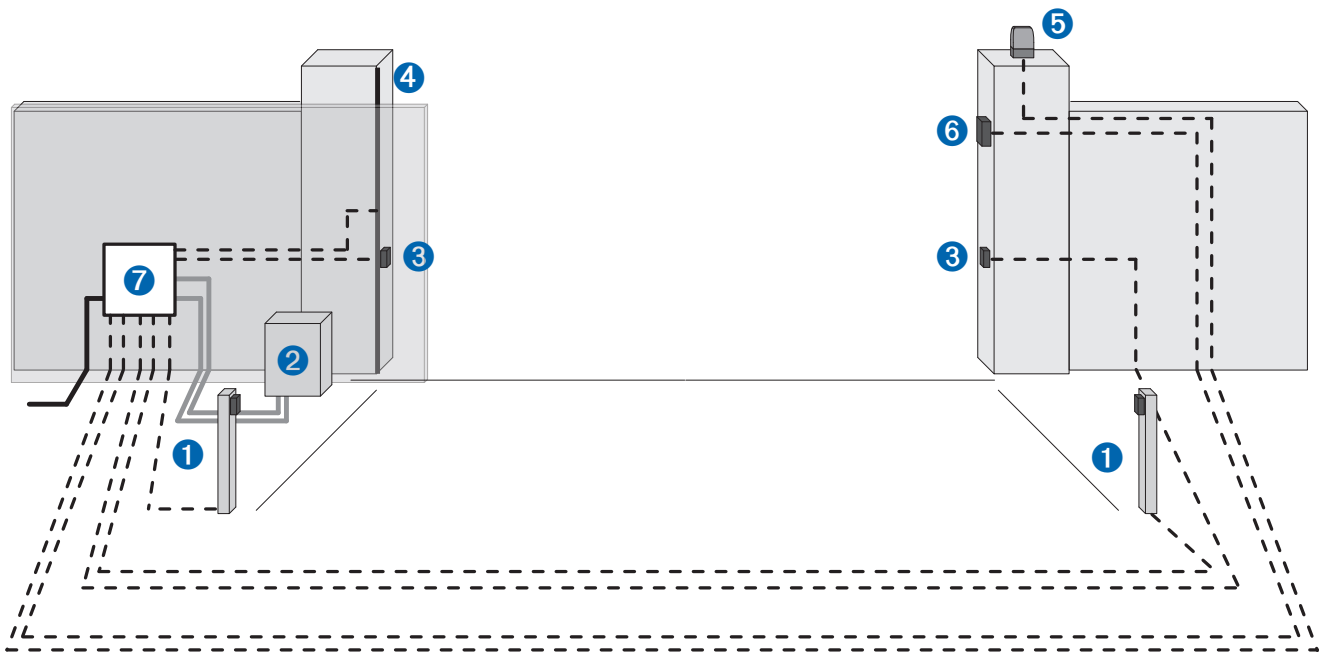
Painted steel vandal-proof box (Colour: Grey MICA P3-197 and RAL 9006) for REV (models IB) with magnetic limit switch (code 619070) and foundation plate.



Technical info

TECHNICAL INFO	REV220 - REV220/M REV220/IB	REV220/RF - REV220/RFM REV220/RF/IB	REV24/F - REV24/M REV24/IB
Motor power supply (V)	230V ~ ± 10 % (50/60 Hz)		24V ~
Maximum power absorption (W)	500		250
Max thrust (N)	900	1200	450
Duty cycle (cycles/hours) for an 8m leaf length	27 for gates up to 1000kg 22 for gates up to 1400kg		36 for gates up to 1000kg 31 for gates up to 1400kg
N. max. cycles in 24h. for an 8m leaf length	270 for gates up to 1000kg 220 for gates up to 1400kg	300 for gates up to 1000kg 250 for gates up to 1400kg	
Built-in capacitor (µF)	14	12,5	\
Operating temperature (°C)	-20 ÷ 50		
Motor thermal protection (°C)	150		\
Speed (m/min)	10		12
Standard pinion	Z18	Z15	Z18
Weight with packing (Kg)	18		
Sound pressure (dBA)	< 70		
Protection level	IPX4 (IP44 with magnetic limit switches)		

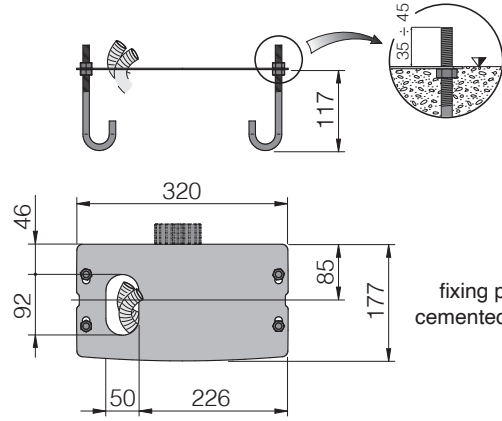
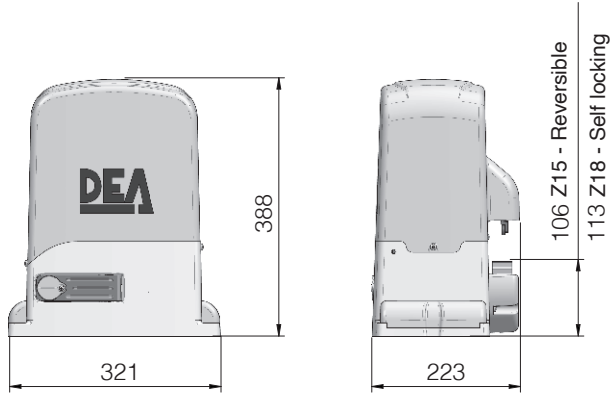
Wiring



- Corrugated pipe for power supply cable
- Ø40 corrugated pipe for connection between the control board and the junction box
- - - Ø20 corrugated pipe or external PVC conduit for connection between the control board and the command and safety accessories

- | pos. | description |
|------|-----------------------|
| 1 | Column with photocell |
| 2 | Operator |
| 3 | Photocells |
| 4 | Safety edge |
| 5 | Flashing light |
| 6 | Keyswitch / Digikey |
| 7 | Junction box |

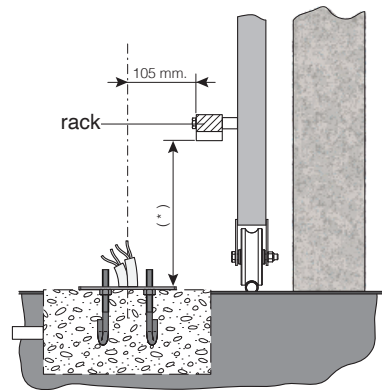
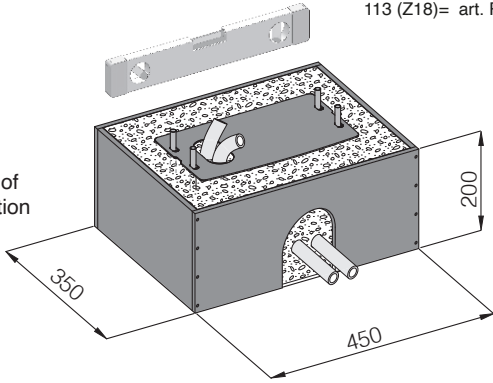
Dimensions



fixing plate to be cemented or screwed

106 (Z15)= art. REV220/RF - REV220RFM
 113 (Z18)= art. REV220 - REV220/M

example of cementation



*	
Z15 - Reversible	100 mm
Z18 - Self locking	106 mm



DEAuser



DEAuser is the app for **private users** that allows activation of automation at **close proximity** via Bluetooth.

By installing NET-NODE on all devices with NETLINK technology, you can control your gate through your smartphone.

To be used with:



Art.NET-NODE 2.0
Cod. 677642



DEAinstaller



DEAinstaller is the App dedicated to the **professional installer** and allows Installers to program and manage DEA automations on-site in a simple and intuitive way from their smart devices.

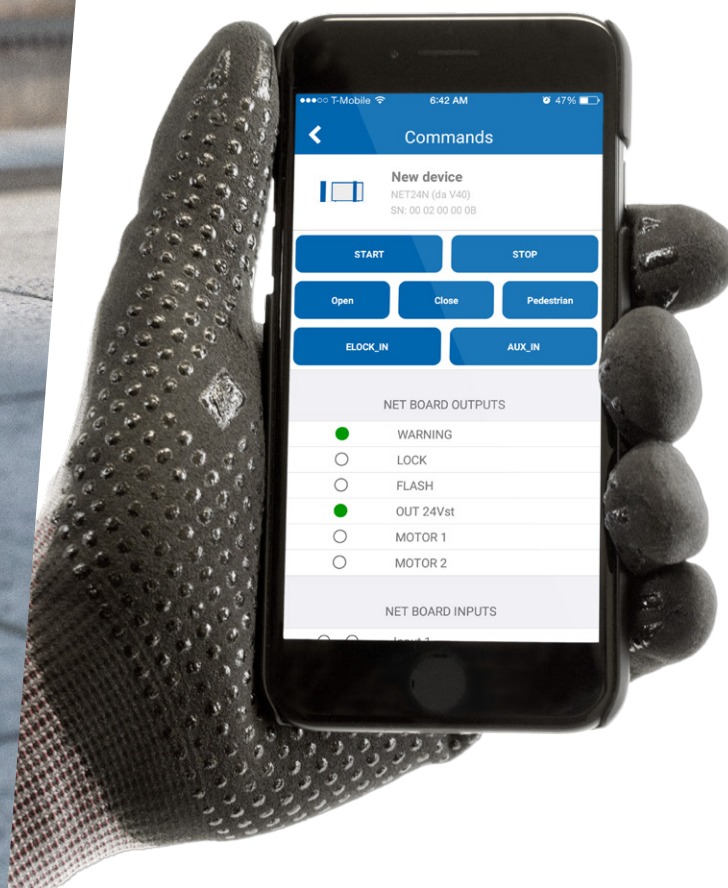
If you use it with the NET-NODE you can:

- ✓ keep a **data backup** of all your installations
- ✓ easily adjust the **parameters** of your control boards
- ✓ update the **firmware**
- ✓ program the **maintenance**
- ✓ manage or customise the **remotes**
- ✓ read **technical manuals** or have a look at the **electrical connections**
- ✓ control the **inputs** and **output** of the control boards
- ✓ **control** the automation with the App

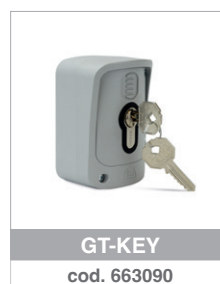
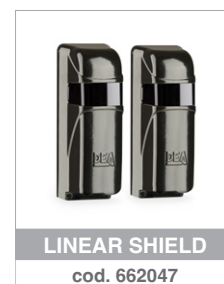
To be used with:



Art.NET-NODE 2.0
Cod. 677642



Generic accessories



#safeasyoulike!

Non-copyable remotes!

GTI remotes are multi-function. They have three coding possibilities: DIP SWITCH, Rolling Code and D.A.R.T. the new DEA advanced coding.

You can customise the code of the remotes to guarantee the maximum security to your customer.

- D.** DEA
- A.** Advanced
- R.** Rolling Code
- T.** Transmission

Looking for **total safety**?
With **NET-BOX** each installer can customise the code of your GTI remotes.



#colourasyoulike!

Choose your favorite colour!

GTI remotes can be customised with button kits in seven colours: green, light green, blue, pink, yellow, orange and purple.



Note: button kits are supplied in packs of 5. The remote must be ordered separately.



NETLINK

is our technology applied to DEA devices for the smart management of your installations, both **locally** and **remotely**.



Our range

Automations for sliding gates



LIVI N



REV

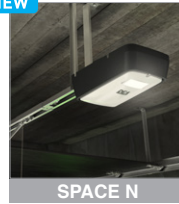


GULLIVER



Automations for sectional doors

NEW



SPACE N



NEW



ADVANCE N



LIVI 902



Automations for swing gates

NEW



MAC



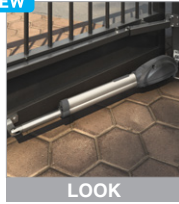
NEW



STING



NEW



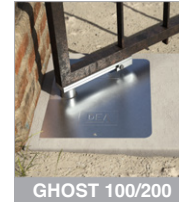
LOOK



GEKO



LIVI 502



GHOST 100/200



OLI N



Automations for industrial gates



LATO



550 PL



Barriers

NEW



PASS N



NEW



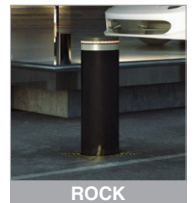
STOP N



TRAFIK



Bollards



ROCK



DEA
move as you like

HEADQUARTER
DEA SYSTEM S.p.A.
Via della Tecnica, 6 - 36013 Piovene Rocchette (VI) - ITALY
☎ + 39.0445.55.07.89 - 📠 + 39.0445.55.02.65
info@deasystem.com - www.deasystem.com

Branches > Italia, France, United Kingdom, Ireland, España,
Portugal, Polska, Deutschland, Беларусь

> **HEAD OFFICE**
DEA System UK & IRE
Sandholes Road - Cookstown - Co. Tyrone
BT80 9AR - IRELAND
☎ + 44 (0)28 8676 6476 - 📠 + 44 (0)28 8676 2414
info@deasystem.net

DEA System UK & IRE
Unit 31 - The IO Centre - Hearle Way - Hatfield - Hertfordshire
AL10 9EW - UNITED KINGDOM
☎ + 44 (0)1707 246 599
contact@deasystem.net